



Greene Tweed FC-Dry™ and FC-Dry™ HP Series Connectors

Connectors

The FC Series connectors use a threaded position keyed coupling in connection with a unique self-sealing design. When used with an FC Series adapter, the result is a durable, watertight, hermetically sealed connection.

The keyed index connection ensures perfect reproducible termini alignment every time. The fiber optic termination is completely protected from wet environments and particulate that can irreversibly degrade optical fiber.

The FC-DRY™ is fabricated from nickel-plated brass, and the FC-DRY™ HP is fabricated from 316 series stainless steel. The ferrules and alignment sleeves are made of precision-machined zirconia.

The FC-DRY™ HP Series is intended for use in harsh environments where the assemblies are likely to be submerged in water or subjected to rain, ice, high humidity, or temperatures from -55°C to 85°C (-67°F to 185°F). FC Series connectors have passed stringent immersion and heat/humidity tests with minimal light loss.

Features and Benefits

Compatibility

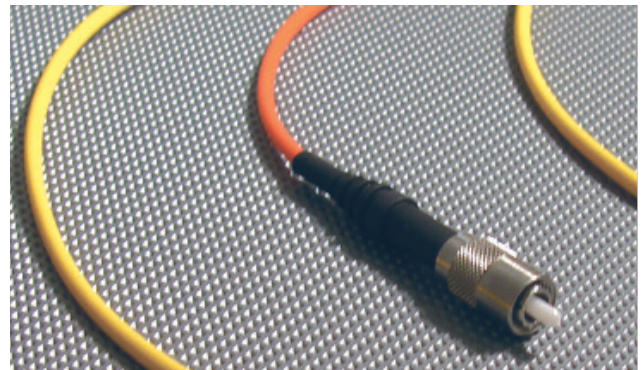
- Universal threaded position keyed coupling works with single- and multi-mode fibers

Environmentally Sealed

- No signal degradation
- Effective sealing action eliminates damage from moisture or particulate

Temperature- and Humidity-Resistant

- Clarity of signal



- Tested from -55°C to 85°C (-67°F to 185°F) and subjected to stringent heat/humidity with 0.5 dB maximum insertion loss

Waterproof

- No water penetration to affect signal

Specifications

- Ferrules and alignment sleeves are precision-machined zirconia
- Made from high-quality, corrosion-resistant materials
- FC-DRY™ is nickel-plated brass; FC-DRY™ HP is 316 series stainless steel
- Typical light loss is less than 0.5 dB

Applications

- Oil and gas
- Aerospace
- Industrial
- Defense
- Pharmaceutical production
- Security
- Telecommunication

Contact Us

Greene Tweed
Houston, TX, USA

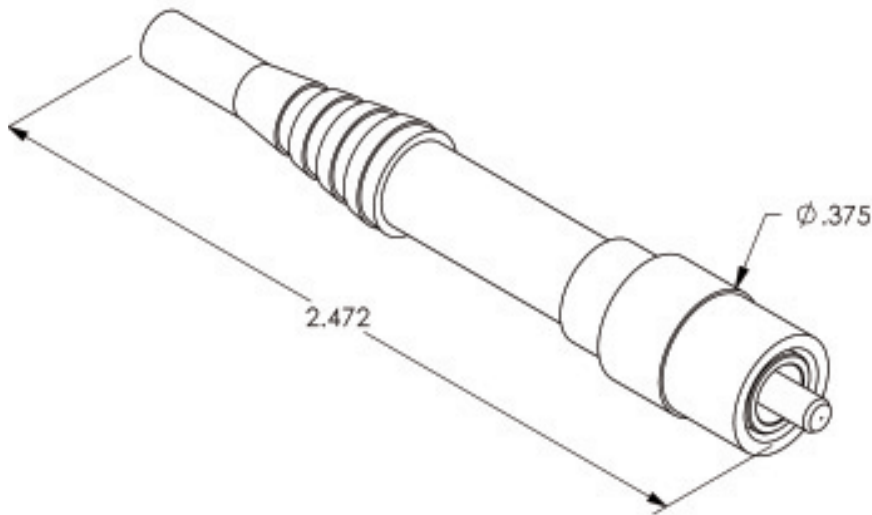
Tel: +1.281.765.4500
Fax: +1.281.821.2696

Statements and recommendations in this publication are based on our experience and knowledge of typical applications of this product and shall not constitute a guarantee of performance nor modify or alter our standard warranty applicable to such products.
© 2019, Greene Tweed all rights reserved. All trademarks are property of their respective owners.

04/19-GT DS-US-EN-018



FC-DRY™ Series Connector



Ordering Information

500-CFC-____-N01-000

Fiber Type

- 0** None
- 1** 9/125 μm
- 2** 50/125 μm
- 3** 62.5/125 μm
- 4** 50/170 μm
- 5** 400/430 μm
- 6** 400/440 μm
- 7** 910/1000 μm
- 8** 300/330 μm
- 9** 9/80 μm
- C** Custom

Material Type

- B** Brass Nickel Plate
- S** Stainless Steel

Fiber Optics for Data Transmission

Greene Tweed has acquired Lancer Systems' product portfolio of fiber optic solutions and related intellectual property.

Lancer fiber optic connector products are specified by leading oil and gas service companies for use in wellhead outlets and are used in other critical applications, such as rotary joints in wind turbines. The acquisition included Lancer's Fiber Optic Extreme®, an optical connection system that ensures data transmission when exposed to extreme pressures (up to 25,000 psi) and temperatures (up to 175°C/347°F).

Contact Us

Greene Tweed
Houston, TX, USA

Tel: +1.281.765.4500
Fax: +1.281.821.2696

Statements and recommendations in this publication are based on our experience and knowledge of typical applications of this product and shall not constitute a guarantee of performance nor modify or alter our standard warranty applicable to such products.
© 2019, Greene Tweed all rights reserved. All trademarks are property of their respective owners.

04/19-GT DS-US-EN-018