



# Greene Tweed ST-DRY<sup>®</sup> and ST-DRY<sup>®</sup> HP Connectors

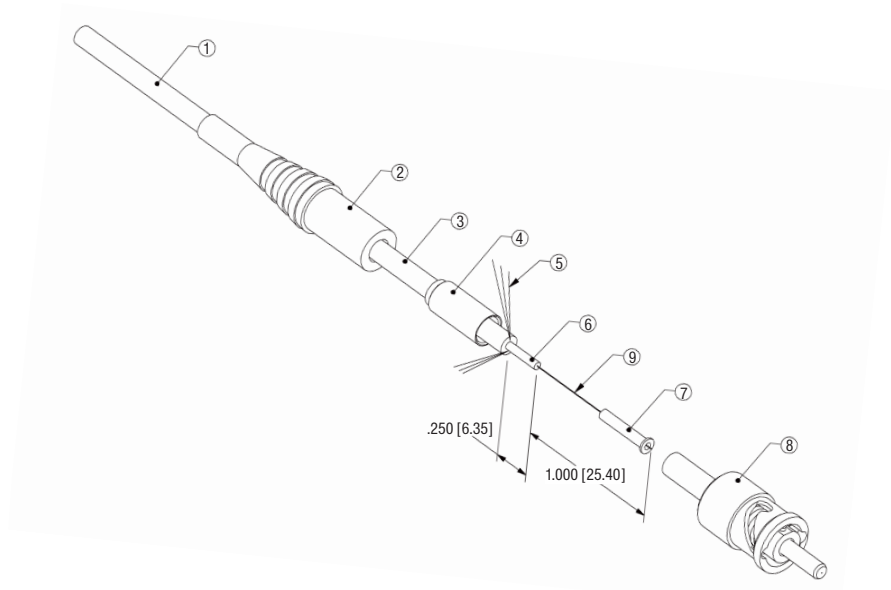
## Termination Instructions

### Assembly

1. Cable
2. Strain relief boot
3. Cable jacket
4. Crimp sleeve
5. Aramid fiber
6. Buffer
7. Eyelet
8. Connector
9. Fiber, 3 mm diameter

### Parts Supplied

- ST-DRY<sup>®</sup> or ST-DRY<sup>®</sup> HP connector
- Crimp sleeve
- Eyelet
- Strain relief boot



### Additional Equipment Needed\*

- Crimp pliers with 0.128 in. (3.25 mm) and 0.178 in. (4.51 mm) hex crimp tool
- Epoxy curing oven 120°C (248°F)
- Epoxy dispensing needle
- Fiber cleave tool
- Fiber optic cable
- Fiber polishing equipment
- Isopropyl alcohol
- Lint-free wipes
- Mastic adhesive
- Jacket strippers
- Tra-Con F123 epoxy

### Contact Us

Greene Tweed  
Houston, TX, USA

Tel: +1.281.765.4500  
Fax: +1.281.821.2696

Statements and recommendations in this publication are based on our experience and knowledge of typical applications of this product and shall not constitute a guarantee of performance nor modify or alter our standard warranty applicable to such products.  
© 2019, Greene Tweed all rights reserved. All trademarks are property of their respective owners.

04/19-GT DS-US-EN-011



## Procedure

01. Cut the fiber to the desired length.
02. Slide strain relief boot over cable (see diagram).
03. Slide crimp sleeve over cable (see diagram).
04. Strip cable jacket 1.25 in. (31.75 mm).
05. Gather the aramid fiber together and ensure the length is 1.0 in. (25.4 mm) from outer jacket.
06. Thread the eyelet over the fiber and tuck inside outer jacket.
07. Strip buffer from fiber 0.25 in. (6.35 mm) from outer jacket cable.
08. Clean residue from fiber using a lint-free wipe and alcohol.
09. Mix Tra-Bond according to manufacturer's instructions.
10. Inject epoxy into the ferrule using a dispensing needle until a small bead appears on the ferrule tip.
11. Carefully insert fiber into the ferrule until the cable is seated inside of the connector, with the ferrule stem over the aramid fiber and outer cable jacket.
12. Verify the aramid is evenly distributed around the connector stem.
13. Place 0.128 in. (3.25 mm) crimping tool against the back of the connector head. Crimp connector. The end of the connector should be slightly flared.
14. Slide the crimp sleeve and aramid fiber over the top of the crimped stem.
15. Crimp the sleeve using the 0.178 in. (4.52 mm) hex crimps.
16. Cure epoxy in an oven for 5 minutes at 120°C (248°F).
17. Cleave fiber using the cleaving tool.
18. Polish fiber and ferrule. Clean using lint-free wipe and alcohol.
19. Apply mastic adhesive over the bottom half of the crimp sleeve and 0.25 in. (6.35 mm) of the cable. Slowly twist the strain relief boot up and over the mastic until the boot is fully seated. Cure per manufacturer's instructions.
20. Perform insertion loss test on completed cable.

## Fiber Optics for Data Transmission

Greene Tweed has acquired Lancer Systems' product portfolio of fiber optic solutions and related intellectual property.

Lancer fiber optic connector products are specified by leading oil and gas service companies for use in wellhead outlets and are used in other critical applications, such as rotary joints in wind turbines. The acquisition included Lancer's Fiber Optic Extreme<sup>®</sup>, an optical connection system that ensures data transmission when exposed to extreme pressures (up to 25,000 psi) and temperatures (up to 175°C/347°F).

### Contact Us

Greene Tweed  
Houston, TX, USA

Tel: +1.281.765.4500  
Fax: +1.281.821.2696

Statements and recommendations in this publication are based on our experience and knowledge of typical applications of this product and shall not constitute a guarantee of performance nor modify or alter our standard warranty applicable to such products.  
© 2019, Greene Tweed all rights reserved. All trademarks are property of their respective owners.

04/19-GT DS-US-EN-011