



# Greene Tweed ST-Dry<sup>®</sup> and ST-Dry<sup>®</sup> HP Series Connectors

## Connectors

The ST Series connectors combine a bayonet twist-lock connection with a unique self-sealing design to provide a durable, watertight, environmentally and hermetically sealed fiber connection when used with an ST Series adapter.

The termination is completely protected from wet environments and particulate that can irreversibly degrade optical fiber.

The ST-DRY<sup>®</sup> is fabricated from nickel-plated brass, and the ST-DRY<sup>®</sup> HP is fabricated from 316 series stainless steel. The ferrules and alignment sleeves are made of precision-machined zirconia.

The ST-DRY<sup>®</sup> HP Series is intended for environments where the assemblies are likely to be submerged in water or subjected to rain, ice, high humidity, or temperatures from -55°C to 85°C (-67°F to 185°F). ST Series connectors have passed stringent immersion and heat/humidity tests with minimal light loss.

## Features and Benefits

### Compatibility

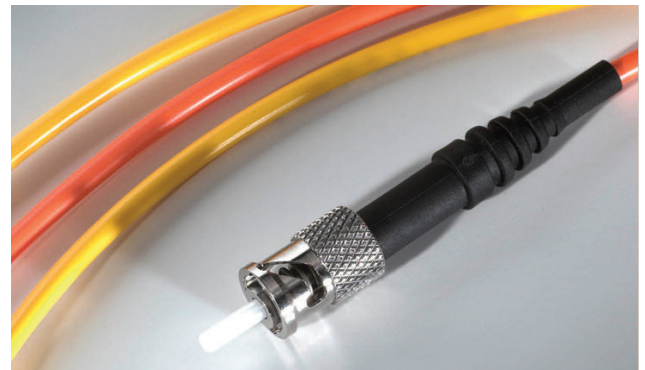
- Universal bayonet twist-lock connection
- Works with single- and multi-mode fibers

### Environmentally Sealed

- No signal degradation
- Effective sealing action eliminates damage from moisture or particulate
- Tested up to 500 mate/demate cycles

### Temperature- and Humidity-Resistant

- Clarity of signal



- Tested from -55°C to 85°C (-67°F to 185°F) and subjected to stringent heat/humidity with 0.5 dB maximum insertion loss

### Waterproof

- No water penetration to affect signal

## Specifications

- Ferrules and alignment sleeves are precision-machined zirconia
- Made from high-quality, corrosion-resistant materials
- ST-DRY<sup>®</sup> is nickel-plated brass; ST-DRY<sup>®</sup> HP is 316 series stainless steel
- Typical light loss is less than 0.5 dB

## Applications

- Oil and gas
- Aerospace
- Industrial
- Defense
- Chemical processing
- Pharmaceutical production
- Security
- Telecommunication

## Contact Us

Greene Tweed  
Houston, TX, USA

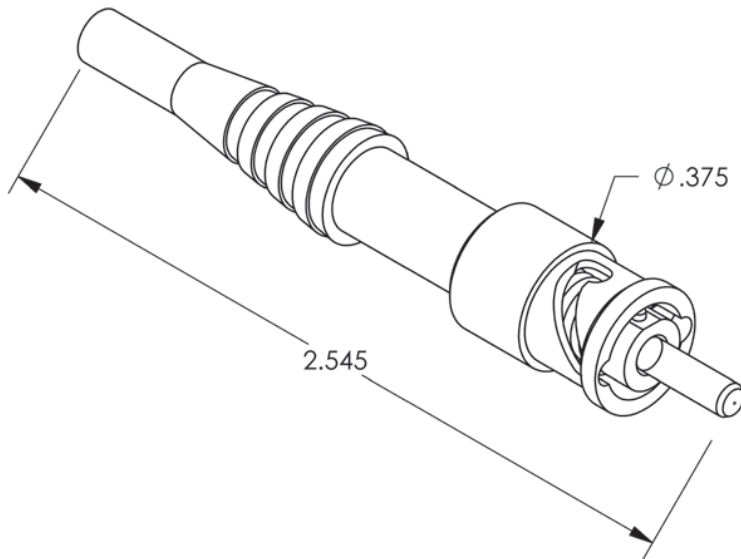
Tel: +1.281.765.4500  
Fax: +1.281.821.2696

Statements and recommendations in this publication are based on our experience and knowledge of typical applications of this product and shall not constitute a guarantee of performance nor modify or alter our standard warranty applicable to such products.  
© 2019, Greene Tweed all rights reserved. All trademarks are property of their respective owners.

04/19-GT DS-US-EN-013



## ST-DRY® Series Connector



## Ordering Information

500-CST-\_\_\_\_-N01-000

### Fiber Type

- 0** None
- 1** 9/125  $\mu\text{m}$
- 2** 50/125  $\mu\text{m}$
- 3** 62.5/125  $\mu\text{m}$
- 4** 50/170  $\mu\text{m}$
- 5** 400/430  $\mu\text{m}$
- 6** 400/440  $\mu\text{m}$
- 7** 910/1000  $\mu\text{m}$
- 8** 300/330  $\mu\text{m}$
- 9** 9/80  $\mu\text{m}$
- C** Custom

### Material Type

- B** Brass Nickel Plate
- S** Stainless Steel

## Fiber Optics for Data Transmission

Greene Tweed has acquired Lancer Systems' product portfolio of fiber optic solutions and related intellectual property.

Lancer fiber optic connector products are specified by leading oil and gas service companies for use in wellhead outlets and are used in other critical applications, such as rotary joints in wind turbines. The acquisition included Lancer's Fiber Optic Extreme®, an optical connection system that ensures data transmission when exposed to extreme pressures (up to 25,000 psi) and temperatures (up to 175°C/347°F).

### Contact Us

Greene Tweed  
Houston, TX, USA

Tel: +1.281.765.4500  
Fax: +1.281.821.2696

Statements and recommendations in this publication are based on our experience and knowledge of typical applications of this product and shall not constitute a guarantee of performance nor modify or alter our standard warranty applicable to such products.  
© 2019, Greene Tweed all rights reserved. All trademarks are property of their respective owners.

04/19-GT DS-US-EN-013